

# High Vacuum Pumps (Oil Immersed)

Over three decades of expertise in vacuum technology, we offer customised solution ranging from individual products to a complete system.

The GL Series pump is an Oil sealed belt driven pump operating according to the rotary vane principle with gas ballast valve. Oil, which is injected into the pump chamber is used for sealing lubrication and cooling purpose. Single stage and Double stage models from 36 m<sup>3</sup>/hr to 300 m<sup>3</sup>/hr are available to meet wide range of vacuum needs.



**GL series (Modular)**

*Single and double stage models to meet large number of vacuum needs*

## ***High vacuum pumps (Oil immersed) provide many advantages to the users.***

- ◆ Highly Reliable
- ◆ Guaranteed Ultimate Vacuum
- ◆ Effective Gas Ballast
- ◆ Quieter Operation
- ◆ Easy Maintenance
- ◆ Advanced Lubricating System
- ◆ Compact and Sturdy design



**GL series (Industrial)**

## ***Typical Application***

- ◆ Distillation Process
- ◆ Dehydration Process
- ◆ Filtration Process
- ◆ Thin Film Coating Process
- ◆ Exhausting Electronic Tubes
- ◆ Vacuum Metallurgy
- ◆ Vacuum Sublimation
- ◆ Vacuum Impregnation
- ◆ Freeze-drying of Food and drugs etc.

## ***Quality***

All the pumps are manufactured with durable material. All components are inspected and tested at each and every stage.

## Technical Data For GL Series

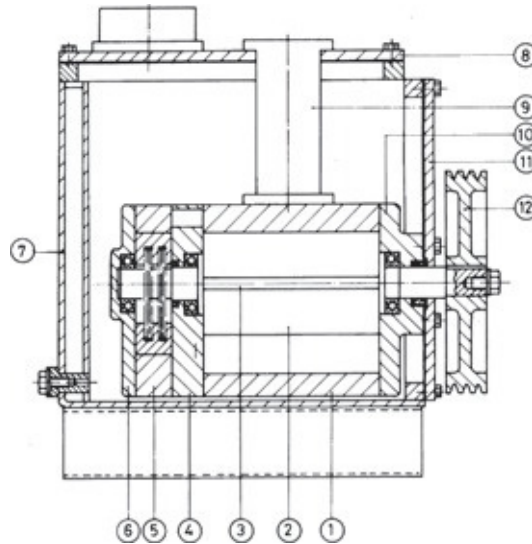
Model**	Nominal Capacity (m <sup>3</sup> /hr)	Ultimate Pressure (mbar)	Operating Voltage	Motor Power (hp)	Oil Capacity (L)	Weight of the pump with motor (Kg) approx.
GL 72.2000	120	1.33 x 10 <sup>-3</sup>	415V 50 Hz 3Ø	5	18	300
GL 72.3000	180			7.5	30	380
GL 72.5000	300			12.5/15*	50	665

\* Power requirement to be selected according to the application.

\*\* GL 72 are double stage series.

### Accessories

- Water cooled condensor
- Filters for airborne liquid or resin
- Vacuum Hose
- Electro pneumatic Isolation valve



Sl.No	Description
1.	Body Stator
2.	Rotor
3.	Vane
4.	Centre Block
5.	Body Exhaust
6.	End Plate Blind Side
7.	Housing
8.	Top Plate
9.	Suction Connection
10.	End Plate Pulley Side
11.	Side Plate
12.	Pump Pulley

Also available from TOSHNIWAL VACUUM

Centralised vacuum systems, Oil lubricated vacuum pumps, Oil immersed vacuum pumps, Roots pumps, Vacuum pumping systems, Vacuum impregnation plants, Epoxy resin mixing & Casting plants, Vacuum de-hydration cum gas charging unit, Oil less vacuum pump.